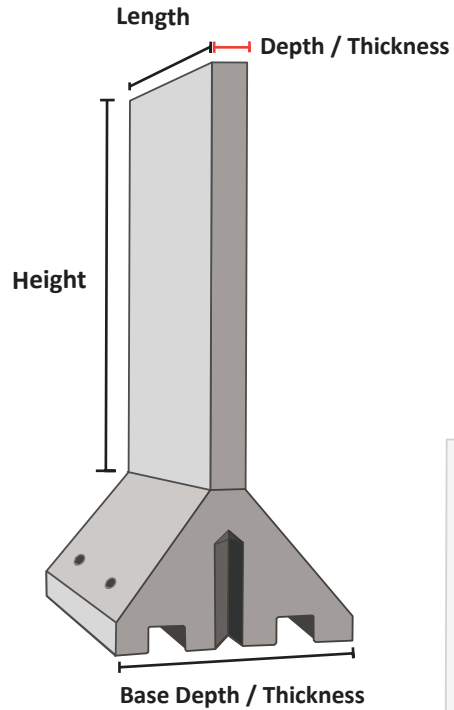
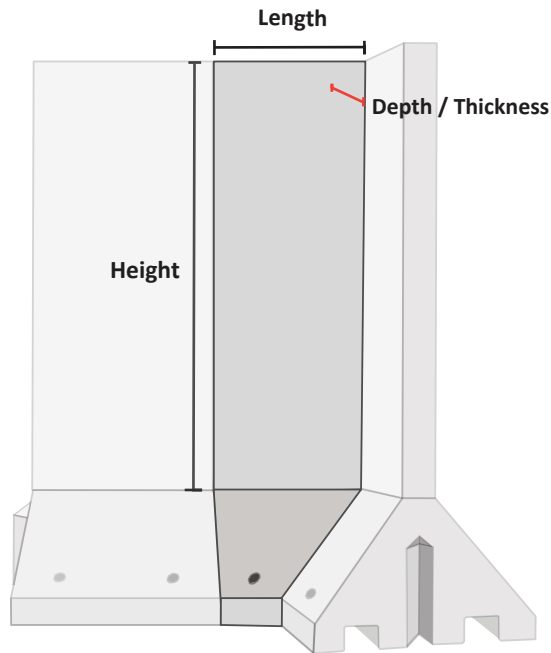




Arrow Panel



Corner Unit



Product Size Details

Arrow Panels are manufactured 1m wide and 1.55m deep units. They are available in standard heights of 2.4m, 3.0m, 3.6 and 4.0m. Special Corner units are available and bespoke heights are available on request. The heavy base together with the 200mm thick stem means that the Arrow Panels are suitable for a wide range of applications.

Arrow Precast Wall Panel and Corner Unit Sizes

	PRODUCT TYPE	PRODUCT CODE	STANDARD HEIGHTS (m)	WEIGHT (T)
1m wide with a 200m thick stem	Arrow Wall Panel	AP224	2.4	2.59
		AP230	3.0	2.88
		AP236	3.6	3.15
		AP240	4.0	3.35
	Arrow Corner Unit	AS224	2.4	1.9
		AS230	3.0	2.2
		AS236	3.6	2.49
		AS240	4.0	2.69