

'H'	'L'	'D'
UPTO 4000	750 min	3 x H16
UPTO 2400	500 min	3 x H12

Notes:

1. This drawing, in conjunction with the isometric (drawing 1001), shows the standard foundation for all normal storage walling up to 3m high above ground slab except as follows:

a, Silage compacted with tractors in excess of 8T gross.

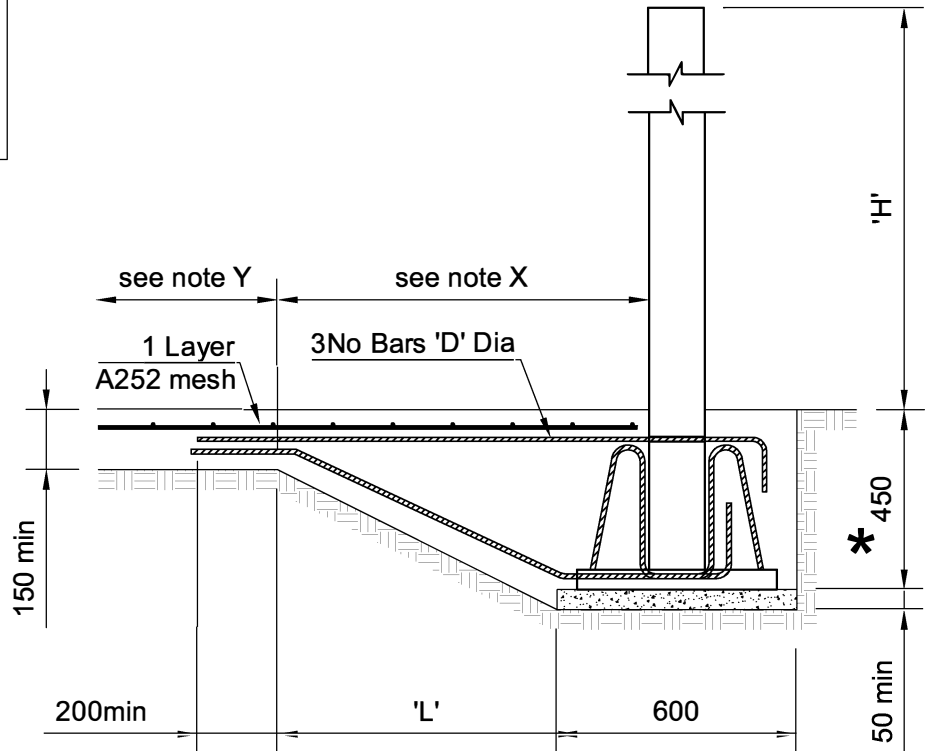
2. Safe ground bearing pressure must be 125kn/m².

3. (X) Mesh to extend to panel from change in section of foundation.

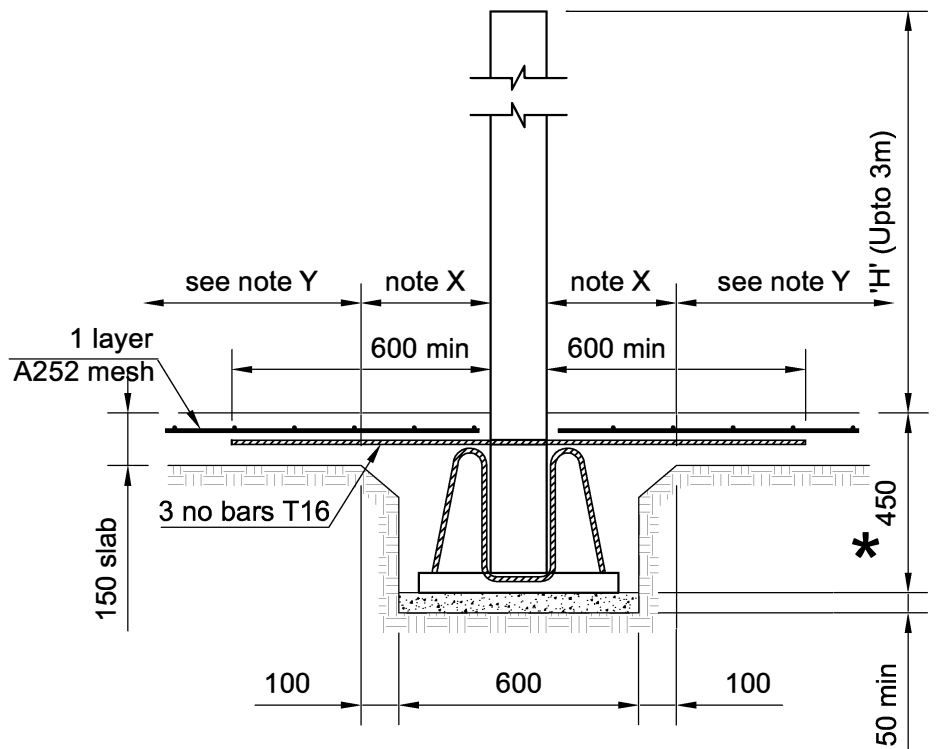
(Y) Mesh is to extend a minimum of 1500mm beyond this point.

4. All loading and back filling to be executed in accordance with the criteria described in BS5502 pt 22 1993.

5. This drawing is the property of ACP (Concrete) Ltd and is not to be copied in any way without prior written approval from ACP (Concrete) Ltd.



TYPICAL SECTION A-A



TYPICAL SECTION B-B

* IF HEIGHT OF WALL IS OVER 3m THEN THIS DIMENSION MUST BE 550mm MINIMUM.

Note

If a joint at intersection of slab and footing is essential it must be a proper construction joint and free of all foreign materials E.G. earth, timber etc.