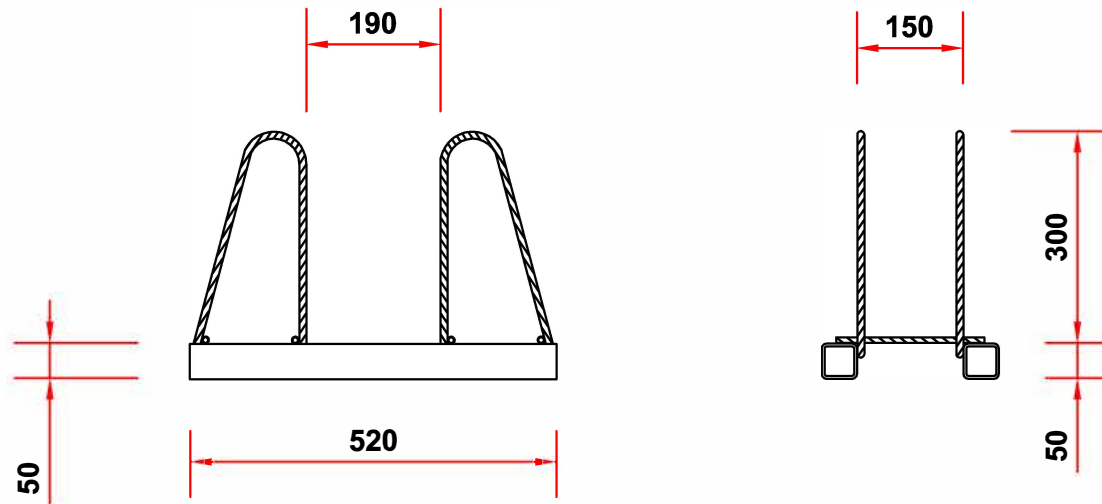


**145mm Standard Cradles**



**180mm Standard Cradles**

It is the responsibility of the main contractor to notify ACP(Concrete)Ltd of any subsequent revisions which may affect this design.

Rev.		Dwn	Date
Checked By			

Client:

**ACP (Concrete) Ltd**

Office 8, Uttoxeter Business Park  
Centre, Tow Meadows Ways,  
Uttoxeter, Staffordshire, ST14 8AZ  
Tel:01889 598660 Fax:01889 568160

Job Title:  
Standard Cradle Details

Drawn: jmn Scale: n t e Date:  
Drawing No. Cradle